


# PRODUCT SHEET

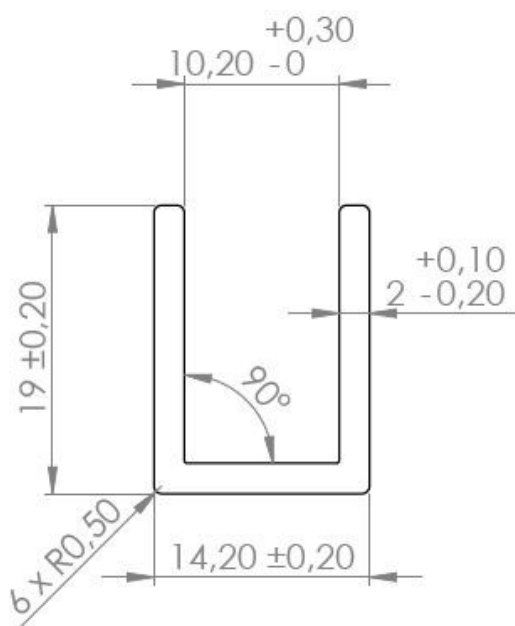
## Description:

Alu. U-Channel, F/10mm Glass, Polished Brass, 3,0 Mtr, 2,05x 19x14,3mm(T/H/W)

## Item number:

15.26.513-8

Units	Box	Carton	HS Code	Barcode
Pcs.			7604299090	 5704866521031



## SISO A/S

Mileparken 11  
DK-2740 Skovlunde  
Denmark  
VAT: 24786013

Phone +45 45 830 900

[www.siso.dk](http://www.siso.dk)  
[siso@siso.dk](mailto:siso@siso.dk)

Danske Bank  
Nytorv Branch  
Copenhagen  
SWIFT: DABADKKK

Account no.  
4180 3112 112936  
IBAN Account  
DK7230003112112936